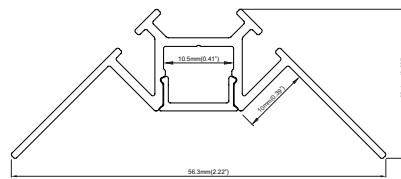
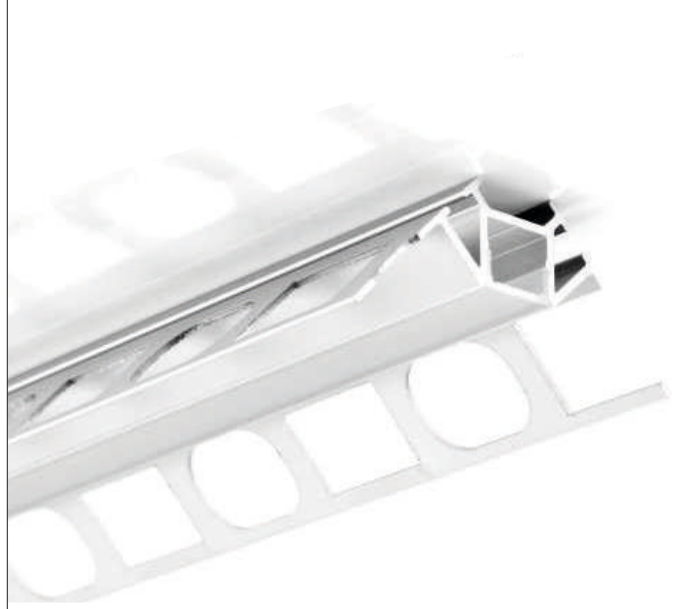


PRF103



PRF103 . **S** . **12** . **OPL**

Model

Finishing color

Light surface width

Cover type

Model
PRF103

Cover type
OPL *Opal*

Finishing color
S *Silver*

Light surface width
12mm

Physical

Dimensions	56.3x22.4mm
Material	Aluminium
Finishing	Anodized
Cover material	PC
Protective degree	IP20
Mounting	Recessed in tiles

Accessories

End cap	ECAP00044
---------	-----------

